

Flush folding partition walls without a bottom guide channel

Hardware system for large wooden centre fold walls with panel weighing up to 80 kg (176 lbs.).

Description

HAWA-Centerfold 80/H is a hardware system for wooden centre fold walls with up to 80 kg (176 lbs.) heavy panels. Installations are simple to plan, and quick to assemble. A pivot bearing secures the first panel in the set; the others line up with the help of elegant, stainless steel hinges that bring the panels closer together and minimise the panel stacking space required, the panel set and the opposing end may also have a pivot door fitted. Attached to every other panel is a folding-/pivot door catch with an integrated, individually adjustable retainer, to hold the centre fold wall flush when closed.

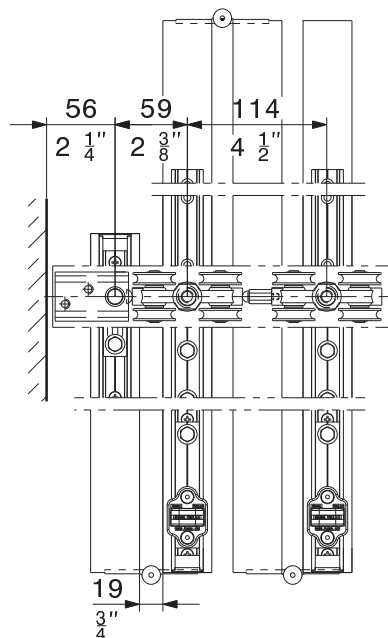
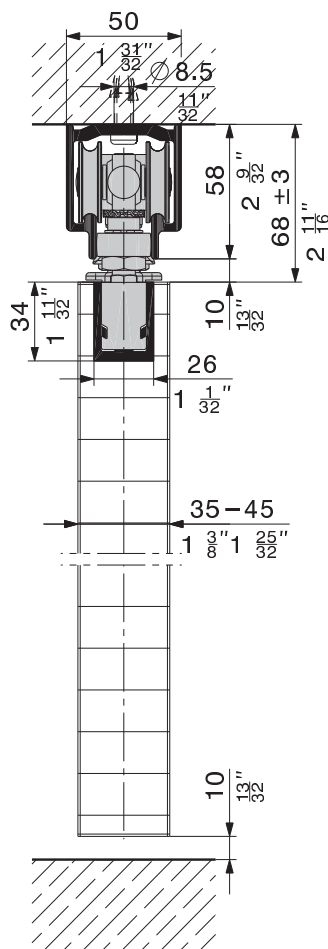
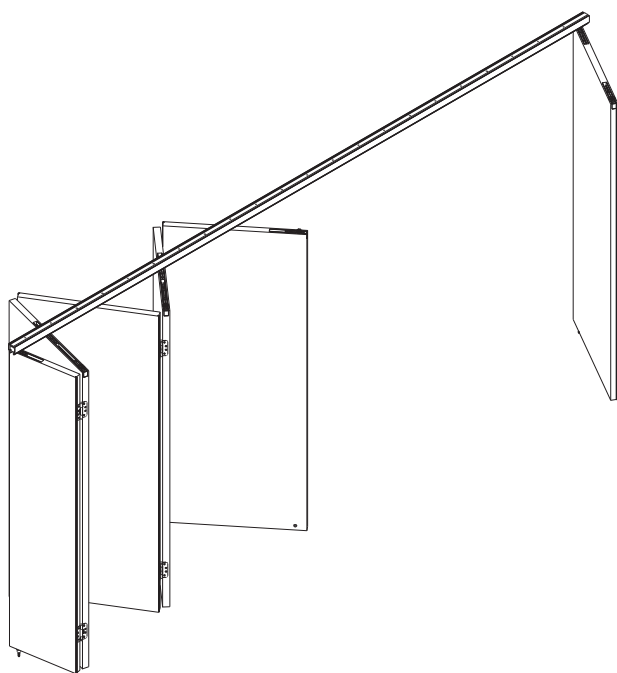
Mid-point panel suspension means that HAWA-Centerfold 80/H installations do not require a bottom guide channel. A bar bolt lock operated at handle height keeps out unwanted visitors. Alternatively, an unobtrusive deadbolt fitted to the bottom edge of the panel provides almost invisible locking. Both locks engage with floor inserts, or a locking plate.

Applications

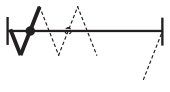
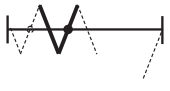
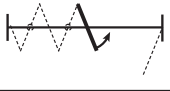
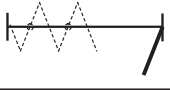
Any situation where a simply operated, high-quality folding system is needed to partition a room. Equally suitable for residential and commercial settings, e.g. shopping centres, airports, hotels, restaurants and banks. $1\frac{1}{2}$ -piece thoroughfare doors in place of conventional hinged doors are most convenient in living space designed for handicapped people.

Features of the HAWA-Centerfold 80/H

- Minimum panel width 500 mm ($1'7\frac{11}{16}$ ")
- Maximum panel width 900 mm ($2'11\frac{7}{16}$ ")
- Panel thickness 35–45 mm ($1\frac{3}{8}$ "– $1\frac{25}{32}$ ")
[Panel thickness 46–57 mm ($1\frac{13}{16}$ "– $2\frac{1}{4}$ ") available on special request]
- Maximum panel weight 80 kg (176 lbs.)
- No bottom guide channel
- Left and right-hand, inwards or outwards-opening installations all use the same components
- A communicating pivot door can be added to the panel stack, or the opposing end
- Vertical adjustment ± 3 mm ($\frac{1}{8}$ ")
- Light and quiet running
- Panel stack stores compactly



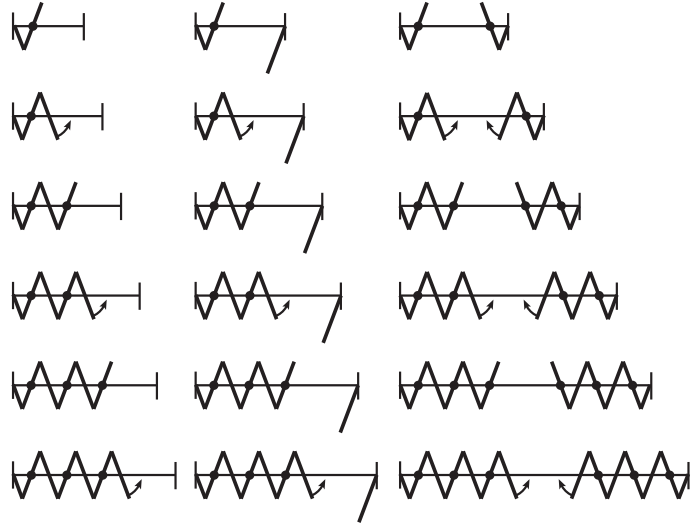
Partial sets without hinges and top track

Sets can be individually assembled.		code
	Basic set with pivot bearing without guide	19535
	Additional set without guide	19536
	Pivot door set to folded stack (without trolley and top pivot bearing)	19620
	Pivot door set for installation without bottom guide channel	19619

HAWA-Centerfold installations do not need bottom guide channels.

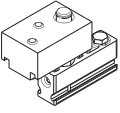
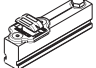
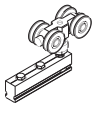
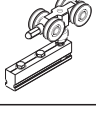


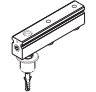

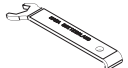
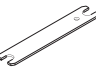

Installation examples

One-sided installations filling an aperture up to 6000 mm (19'8 $\frac{7}{32}$ ") width are possible using the 1 $\frac{1}{2}$ -panel basic sets, supplementary and pivot door sets – or double this figure for two-sided installations. HAWA-Centerfold 80/H installations are executed without bottom guide channels.

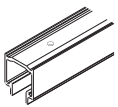


These examples illustrate just some of the possibilities.


Partial sets comprising

		19535	19536	19620	19619	code
	Top pivot bearing	1	-	-	1	16485
	Folding-/pivot door catch, adjustable	1	1	1	1	20426
	Four-wheeled trolley, M10, plastic-tyred wheels and suspension plate	1	-	-	-	16482
	Four-wheeled trolley, M10, plastic-tyred wheels with suspension plate and spacer	-	1	-	-	16685
	Suspension profile alu, 208 mm (8 $\frac{3}{16}$), plain anodized, predrilled	2	-	1	3	10987
	Suspension profile alu, 550 mm (1'9 $\frac{21}{32}$), plain anodized, predrilled	1	1	-	-	19524
	Thrust bearing sleeve, D=20 mm ($\frac{3}{4}$), incl. driver	1	-	-	1	19515
	Cover cap for top fixed suspension, plastic anthracit-grey RAL 7016	3	1	1	3	20907
	Vertical adjustment key	1	-	-	-	10789
	Suspension assembly locking wrench	1	-	-	-	14861
	Fork spanner SW 13 mm ($\frac{1}{2}$), incl. driver	1	-	-	-	19128


Top tracks

Caution: Hole positions vary.		code
	Top track alu, plain anodized, predrilled	6000 (19'8 ⁷ / ₃₂) 16852
		cut to size 16853

Hinge

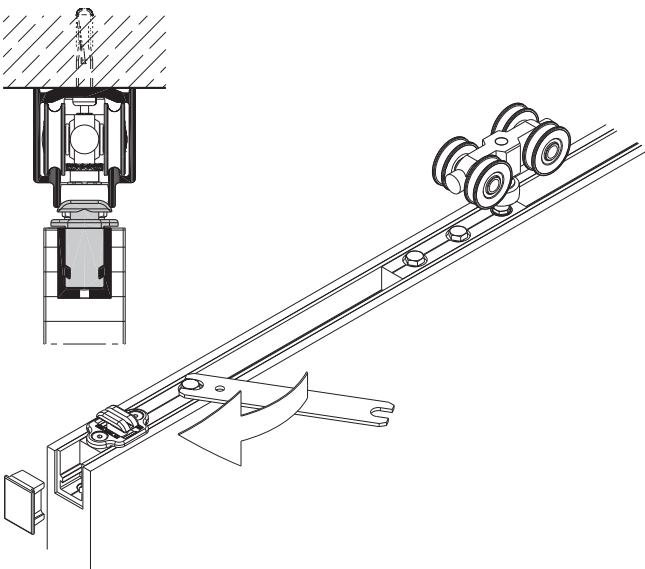
		code
	Hinge stainless steel with heavy load bearings WNR 1.4401/AISI 316 incl. fixing screws	19598
	Number of hinges per panel joint: Panel height ≤ 2500 mm (8'2 ⁷ / ₁₆) = 2 pcs. Panel height ≤ 3500 mm (11'5 ¹³ / ₁₆) = 3 pcs.	

Hollow seal

		roll of	code
	Hollow seal, rubber black	10 m (32'9 ²³ / ₃₂)	19657

Folding-/pivot door catch

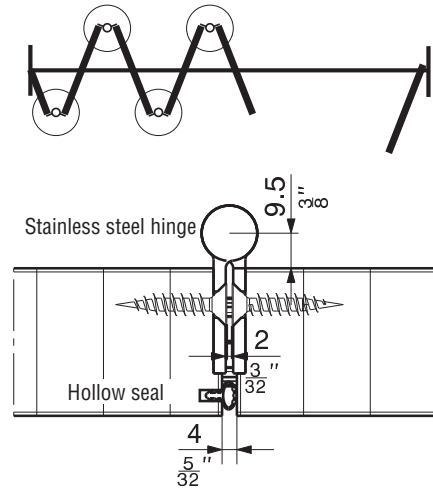
Every other panel has a Folding-/pivot door catch (200426). Panels can thus be held flush in position without operating a locking mechanism.



Hinge

Heavy-duty, stainless steel hinge, suitable for indoor or outdoor use. High loadbearing capacity means that panels up to 2500 mm (8'2 ⁷/₁₆) tall require just two hinges.

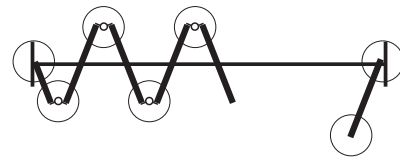
Hinge positions



Hollow seal

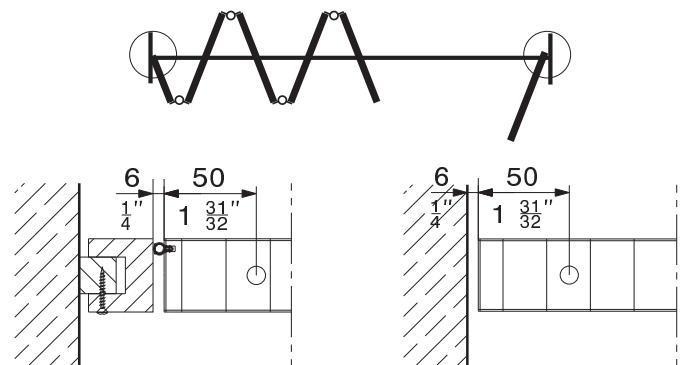
Hollow cross-section seal strips eliminate the problem of light penetrating through gaps between panels.

Hollow seal positions



Wall attachment

Hawa AG recommends a compensation strip for optimum wall attachment. In combination with hollow seal code 19657, this results in the elimination of the light gap and reduces draughts to a minimum. Doors that close directly against the wall must have 6 mm (¹/₄) clearance.

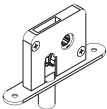
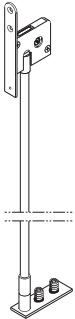



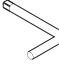

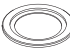
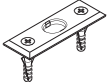


Version A
With premises-fitted compensation strip and hollow seal code 19657

Version B
Direct wall attachment requires 6 mm (¹/₄) clearance

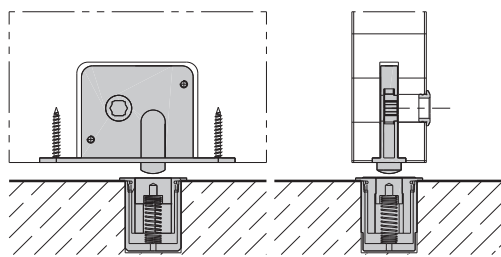
Subject to modification. Metric specifications are exact. Inches are approximate.

Locks

		code
	Deadbolt lock, galv. steel deadbolt 13 mm ($\frac{17}{32}$)	10726
	Bar bolt lock, square/hexagonal socket, backset 42,5 mm ($1\frac{11}{16}$) Assembly dimensions please see page 81	19592
	Thumbturn, chromium finish for panel thickness 35 to 40 mm ($1\frac{3}{8}$ " to $1\frac{19}{32}$ ")	13789
	Thumbturn, chromium finish for panel thickness 41 to 57 mm ($1\frac{5}{8}$ " to $2\frac{1}{4}$ ")	19806
	Slip-fit rose, brass dull nickel finish	13858
	Key for deadbolt lock 10726	10723
	Floor-mounted sleeve with oblong hole and chromium plated brass spring cover	13787
	Rosette for floor-mounted sleeve 13787	17326
	Strike plate, chromium-plated steel	13130

Deadbolt lock

The deadbolt lock code 10726 provides unobtrusive, barely visible locking at the panel bottom edge.



Locking with floor-mounted sleeve code 13787

Order specifications

- Type and quantity of partial sets
- Length of top track
- Quantity of hinges, see calculation details

Optional order specifications

- Type and quantity of locks
- Quantity of hollow seals

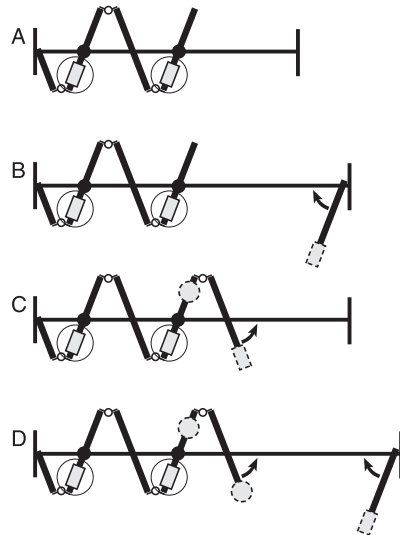
Planning / installation





For planning and installation purposes, please use planning and installation instructions code 19587.
And for door thicknesses 46–57 mm additionally code 20086.

Locks

Additional deadbolt or bar bolt locks may be fitted for safety and to keep out unwanted visitors.
Locking from the inside engages the floor-mounted sleeve code 13787.
Mortice locks can be used to secure pivot doors.

Lock positions



-  Deadbolt lock or bar bolt lock
-  Door edge bar not supplied by Hawa AG
-  Mortice lock not supplied by Hawa AG
-  Pivot door

Bar bolt lock

Bar bolt lock code 19592 allows locking the folding wall at handle height.

