

Sliding hardware systems for foldable wood partition walls

## HAWA-Variofold/Centerfold 80/H



The ideal solution for large-area folding walls and accordion partitions

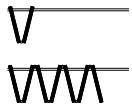
# HAWA-Variofold 80/H

# HAWA-Centerfold 80/H

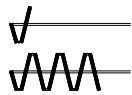
HAWA-Variofold 80/H and HAWA-Centerfold 80/H make it easy to design trouble-free and flexible solutions to closing room openings with folding walls and accordion partitions made of wood – across widths of up to 6 metres (19'8 $\frac{7}{32}$ " ), or even up to 12 (39'4 $\frac{7}{16}$ " ) with opposed installations. Hawa is therefore able to offer you two top solutions for upmarket apartment designs or commercial applications such as, for instance, shopping malls, airports, hotels, restaurants and office buildings.

## About the product

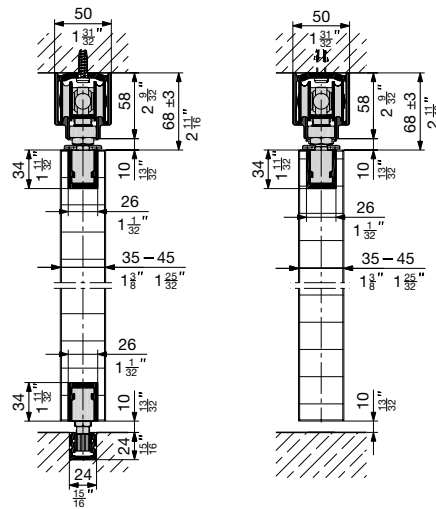
The suspension unit at the end of the door makes the HAWA-Variofold 80/H the ideal solution for flush folding walls where the first element is secured with a pivot bearing and all subsequent elements follow neatly on elegant stainless steel hinges. In contrast, the HAWA-Centerfold 80/H has a centred suspension unit to enable accordion partitions to operate without a bottom guide. Both variants hold many other accommodating advantages for you in store: easy planning and installation, extremely quiet running properties, low parking area space requirements and excellent quality with regard to both material and finish.



HAWA-Variofold 80/H  
Folding wall



HAWA-Centerfold 80/H  
Accordion partition



HAWA-Variofold 80/H

HAWA-Centerfold 80/H

## Technical specifications

Max. door weight	80 kg (176 lbs.)
Door width	500–900 mm (1'7 $\frac{11}{16}$ " – 2'11 $\frac{7}{16}$ " )
Door thickness	35–45 mm (1 $\frac{3}{8}$ " – 1 $\frac{25}{32}$ " )
on request	46–57 mm (1 $\frac{13}{16}$ " – 2 $\frac{1}{4}$ " )
Height adjustable	±3 mm ( $\frac{1}{8}$ " )

## At a glance

- Extensive freedom of design thanks to customisable door widths and number of panels.
- Easy to plan, install and operate.
- Folding panel stock needs little space and moves easily and smoothly.
- The folding panel stock and the opposite end can be fitted with a pivot door.
- Closed door pairs are held in place by a folding/pivot door catch with an integrated and individually adjustable retainer.
- The HAWA-Centerfold 80/H makes installations of up to 6 metres (19'8 $\frac{7}{32}$ " ) in width possible both with and without a floor-mounted guide.

## Further information:

Hawa AG  
CH - 8932 Mettmenstetten  
Switzerland  
Tel. +41 44 767 91 91  
Fax +41 44 767 91 78  
www.hawa.ch



Available from specialist dealers